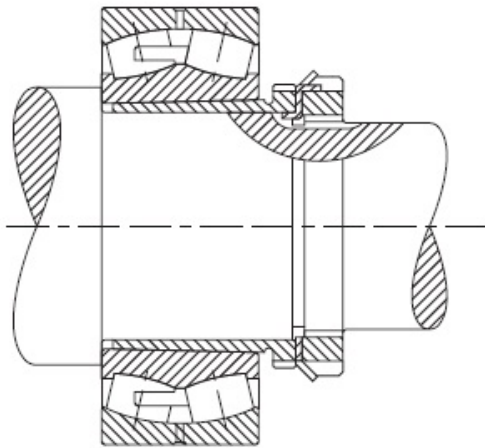


# Removable Sleeve, Locknut and Lockwasher | RN/10/SK/5023/N/09/W/09



**Bearing No. RN/10/SK/5023/N/09/W/09**

Weight	RN-10
Bearing Number	-0.08 mm-0.003 in
Housing Construction	1:12
UPC Code	0.25 lb0.11 Kg
Shaft Size Type	SK-5023
Full Timken Part Number	223K
Locking Style	77.77 mm3.062 in
Y2 - Geometry Factor	55.04 mm2.167 in
Y1 - Geometry Factor	W-09
Shaft Tolerance	N-09
Shaft Size	35.00 mm1.378 in
Pre Install Clearance Min	45 mm1.7717 in
Pre Install Clearance Max	22310K