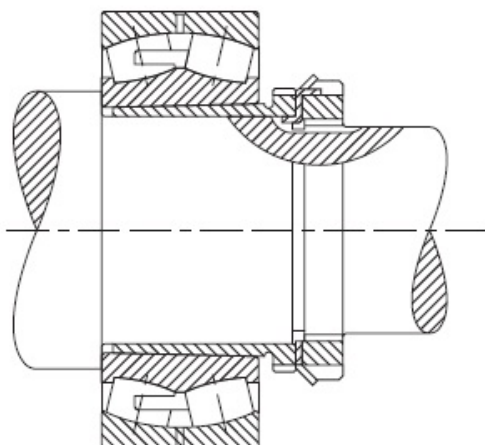


# Removable Sleeve, Locknut and Lockwasher | RN/34/SK/17022/AN/30/W/30



**Bearing No. RN/34/SK/17022/AN/30/W/30**

Weight	RN-34
Bearing Number	-0.13 mm-0.005 in
Housing Construction	1:12
UPC Code	11.50 lb5.22 Kg
Shaft Size Type	SK-17022
Full Timken Part Number	222K
Locking Style	236.52 mm9.312 in
Y2 - Geometry Factor	184.07 mm7.247 in
Y1 - Geometry Factor	W-30
Shaft Tolerance	AN-30
Shaft Size	104.00 mm4.094 in
Pre Install Clearance Min	150 mm5.9055 in
Pre Install Clearance Max	22234K