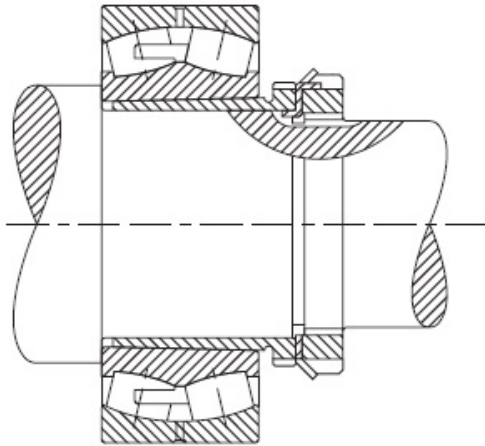


# Removable Sleeve, Locknut and Lockwasher | RN/11/SK/5523/N/10/W/10



## Bearing No. RN/11/SK/5523/N/10/W/10

Weight	RN-11
Bearing Number	-0.08 mm-0.003 in
Housing Construction	1:12
UPC Code	0.31 lb0.14 Kg
Shaft Size Type	SK-5523
Full Timken Part Number	223K
Locking Style	83.34 mm3.281 in
Y2 - Geometry Factor	60.20 mm2.370 in
Y1 - Geometry Factor	W-10
Shaft Tolerance	N-10
Shaft Size	37.00 mm1.457 in
Pre Install Clearance Min	50 mm1.9685 in
Pre Install Clearance Max	22311K