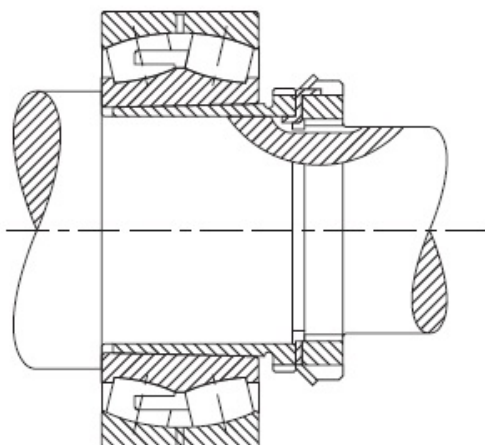


# Removable Sleeve, Locknut and Lockwasher | RN/64/SK/32022/N/060/P/60



**Bearing No. RN/64/SK/32022/N/060/P/60**

Weight	RN-64
Bearing Number	-0.15 mm-0.006 in
Housing Construction	1:12
UPC Code	46.30 lb21.00 Kg
Shaft Size Type	SK-32022
Full Timken Part Number	222K
Locking Style	432.18 mm17.015 in
Y2 - Geometry Factor	345.72 mm13.611 in
Y1 - Geometry Factor	P-60
Shaft Tolerance	N-060
Shaft Size	180.00 mm7.087 in
Pre Install Clearance Min	300 mm11.8110 in
Pre Install Clearance Max	22264K