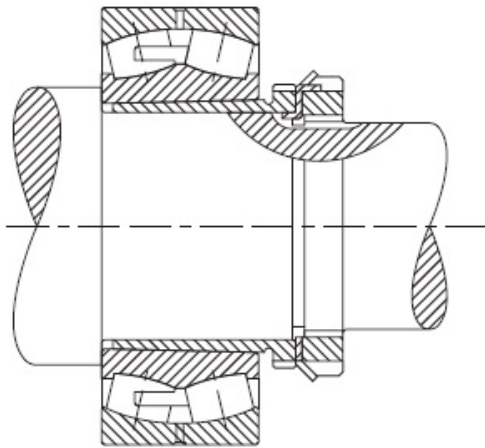


Removable Sleeve, Locknut and Lockwasher | RN/56/SK/28022/N/052/P/52



Bearing No. RN/56/SK/28022/N/052/P/52

Weight	RN-56
Bearing Number	-0.15 mm-0.006 in
Housing Construction	1:12
UPC Code	33.10 lb15.01 Kg
Shaft Size Type	SK-28022
Full Timken Part Number	222K
Locking Style	385.78 mm15.188 in
Y2 - Geometry Factor	301.27 mm11.861 in
Y1 - Geometry Factor	P-52
Shaft Tolerance	N-052
Shaft Size	155.00 mm6.102 in
Pre Install Clearance Min	260 mm10.2362 in
Pre Install Clearance Max	22256K