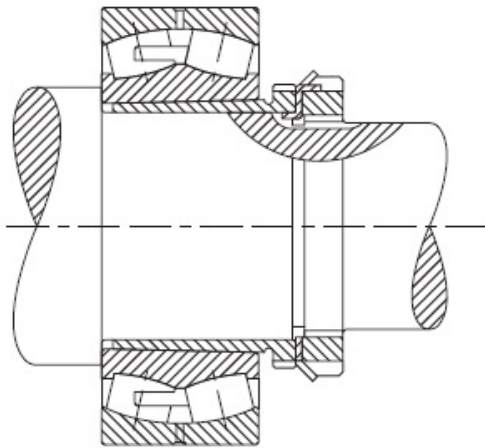


Removable Sleeve, Locknut and Lockwasher | RN/36/SK/18022/AN/32/W/32



Bearing No. RN/36/SK/18022/AN/32/W/32

Weight	RN-36
Bearing Number	-0.13 mm-0.005 in
Housing Construction	1:12
UPC Code	12.50 lb5.67 Kg
Shaft Size Type	SK-18022
Full Timken Part Number	222K
Locking Style	250.83 mm9.875 in
Y2 - Geometry Factor	194.79 mm7.669 in
Y1 - Geometry Factor	W-32
Shaft Tolerance	AN-32
Shaft Size	104.00 mm4.094 in
Pre Install Clearance Min	160 mm6.2992 in
Pre Install Clearance Max	22236K