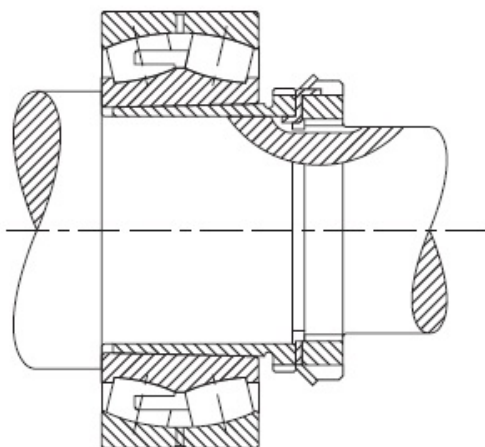


Removable Sleeve, Locknut and Lockwasher | AN/19/SK/8522/AN/15/W/15



Bearing No. AN/19/SK/8522/AN/15/W/15

Weight	AN-19
Bearing Number	-0.10 mm-0.004 in
Housing Construction	1:12
UPC Code	1.45 lb0.66 Kg
Shaft Size Type	SK-8522
Full Timken Part Number	222K
Locking Style	125.55 mm4.943 in
Y2 - Geometry Factor	93.35 mm3.675 in
Y1 - Geometry Factor	W-15
Shaft Tolerance	AN-15
Shaft Size	52.00 mm2.047 in
Pre Install Clearance Min	75 mm2.9528 in
Pre Install Clearance Max	22217K