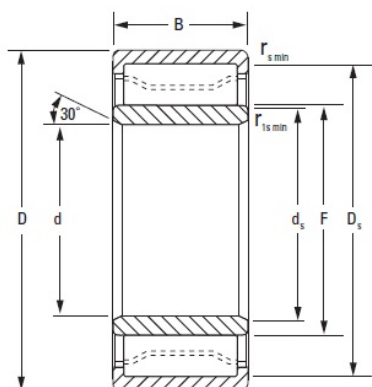


Cylindrical Roller Radial Bearings/5200, A5200 Metric Series | A/5234/WS



Bearing No. A/5234/WS

Weight	310.000 mm12.2047 in
Chamfer $r_{s\min}$	104.775 mm4.1250 in
Static Load Rating C_0	82.9 lb
Dynamic Load Rating C_1^1	WS
Width B	1200 rpm
O.D. D	1100 rpm
DUR/DOR F/E	2040 kN459000 lbf
Bore d	0.1720
Backing Shaft Diameter d_s	1450 kN326000 lbf
Backing Housing Diameter D_s	205.636 mm8.0959 in
Type	3.40 mm0.130 in
Number of Lubrication Holes	7.50 mm0.30 in
Lubrication Hole Diameter h	4.0 mm0.160 in