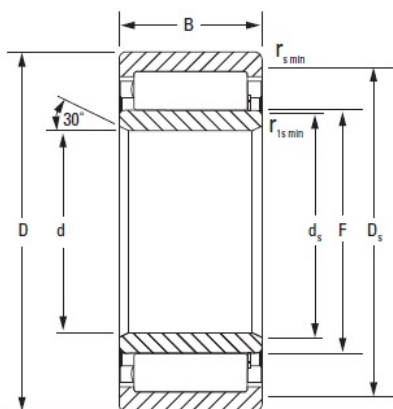


Cylindrical Roller Radial Bearings/5200, A5200 Metric Series | A/5244/WM



Bearing No. A/5244/WM

| | |
|--------------------------------|----------------------|
| Weight | 400.000 mm15.7480 in |
| Chamfer r_{smin} | 133.350 mm5.2500 in |
| Static Load Rating C_o | 175.000 lb |
| Dynamic Load Rating C_1^1 | WM |
| Width B | 860 rpm |
| O.D. D | 790 rpm |
| DUR/DOR F/E | 3340 kN750000 lbf |
| Bore d | 0.2110 |
| Backing Shaft Diameter d_s | 2300 kN517000 lbf |
| Backing Housing Diameter D_s | 266.078 mm10.4755 in |
| Type | 4.60 mm0.180 in |
| Number of Lubrication Holes | 11.00 mm0.43 in |
| Lubrication Hole Diameter h | 4.0 mm0.160 in |