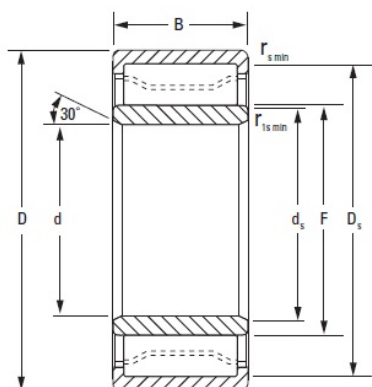


Cylindrical Roller Radial Bearings/5200, A5200 Metric Series | A/5220/WS



Bearing No. A/5220/WS

Weight	180.000 mm7.0866 in
Chamfer $r_{s \min}$	60.325 mm2.3750 in
Static Load Rating C_0	14 lb
Dynamic Load Rating C_1^1	WS
Width B	2800 rpm
O.D. D	2500 rpm
DUR/DOR F/E	594 kN134000 lbf
Bore d	0.1310
Backing Shaft Diameter d_s	474 kN107000 lbf
Backing Housing Diameter D_s	121.133 mm4.7690 in
Type	4.26 mm0.168 in
Number of Lubrication Holes	4.40 mm0.16 in
Lubrication Hole Diameter h	2.1 mm0.080 in