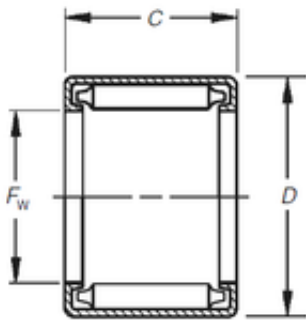


**Bearing No. BH-3316**



D	64,292 mm
C	25,4 mm
F <sub>w</sub>	52,388 mm
Weight	0,162 Kg
Size (mm)	52.388x64.292x25.4
Width (mm)	25,4
Bearing number	BH-3316
Bore Diameter (mm)	52,388
Outer Diameter (mm)	64,292
(Grease) Lubrication Speed	2600 r/min
Basic dynamic load rating (C)	64 kN
Basic static load rating (C <sub>0</sub> )	133 kN