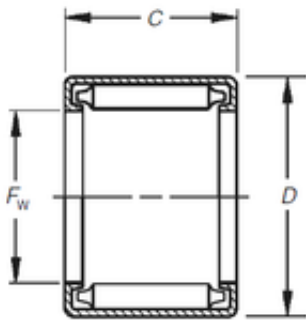


Bearing No. BH-2212



D	44,45 mm
C	19,05 mm
F <sub>w</sub>	34,925 mm
Weight	0,066 Kg
Size (mm)	34.925x44.45x19.05
Width (mm)	19,05
Bearing number	BH-2212
Bore Diameter (mm)	34,925
Outer Diameter (mm)	44,45
(Grease) Lubrication Speed	3000 r/min
Basic dynamic load rating (C)	35,3 kN
Basic static load rating (C <sub>0</sub> )	64,5 kN