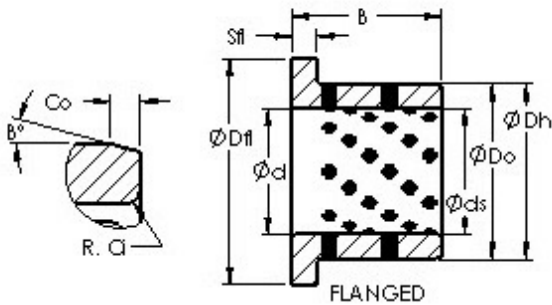


Bearing No. AST650 F12014080



Material	Cast bronze with solid lubricant inserts.
Bearing Type	flanged
Bearing number	AST650 F12014080
Bore Diameter (mm)	120
Outer Diameter (mm)	140
OD Chamfer Length (Co)	3.000
ID Chamfer Length (Ci)	1.200
Shaft Dia., Nominal (d)	120.0000
Flange Dia. (Dfl pm 0.5)	170.000
ID Chamfer Angle (B deg.)	15
Bearing Length, Nominal (B)	80.000
Bearing Bore after Mounting (di)	120 +0.071 / +0.036
Bearing Outside Diameter, Nominal(Do)	140.000
Housing Bore Dia. (Dh) - 140 +0.040 / -0	140 +0.040 / 0
Bearing Outside Diameter Tolerance (Do tol.)	140 +0.040 / +0.015
Bearing Length Tolerance (B tol.) - -0.10 / -0.30	0.10 / 0.30