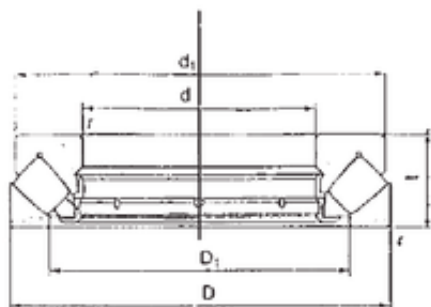


### Bearing No. 29422M



D	230 mm
d	110 mm
T	73 mm
d1	199,6 mm
D1	153,4 mm
r min.	3 mm
Weight	15 Kg
Size (mm)	110x230x73
Width (mm)	73
Bearing number	29422M
Bore Diameter (mm)	110
Outer Diameter (mm)	230
Basic dynamic load rating (C)	845 kN
Basic static load rating (C0)	2620 kN