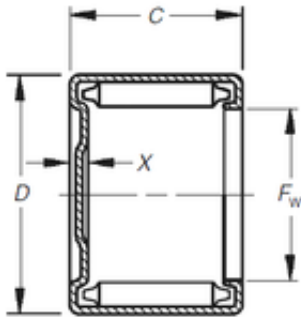


**Bearing No. M-22121**



D	41,275 mm
C	19,05 mm
Fw	34,925 mm
C1	2,29 mm
Weight	0,049 Kg
Size (mm)	34.925x41.275x19.05
Width (mm)	19,05
Bearing number	M-22121
Bore Diameter (mm)	34,925
Outer Diameter (mm)	41,275
(Grease) Lubrication Speed	2100 r/min
Basic dynamic load rating (C)	30,4 kN
Basic static load rating (C0)	71,2 kN