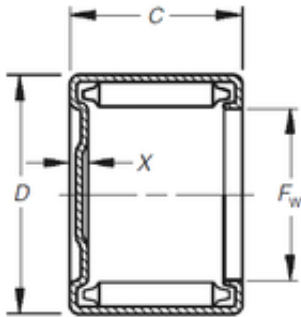


Bearing No. M-32201



D	60,325 mm
C	31,75 mm
Fw	50,8 mm
C1	3,05 mm
Weight	0,175 Kg
Size (mm)	50.8x60.325x31.75
Width (mm)	31,75
Bearing number	M-32201
Bore Diameter (mm)	50,8
Outer Diameter (mm)	60,325
(Grease) Lubrication Speed	2100 r/min
Basic dynamic load rating (C)	71,6 kN
Basic static load rating (C0)	183 kN